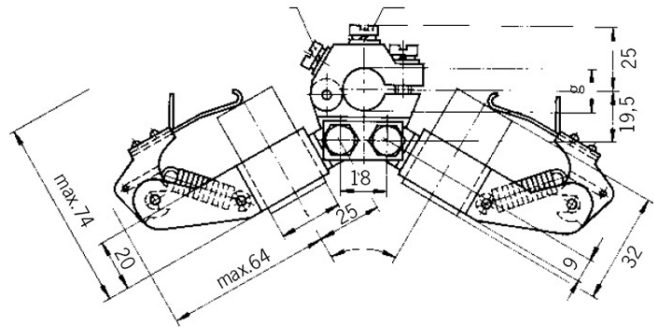
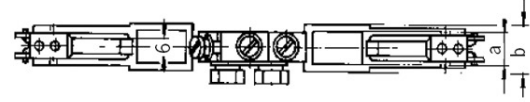


DOUBLE BRUSH HOLDERS FOR SLIP RINGS TYPE TBS

Double brush holders for slip rings. Stable construction in homogeneous cast brass. Adjustable spring pressure and variable set up angle. Designed for loads of at least 25 A/cm and compliant with all copper grades.

Product information for which Carbex bears no responsibility is provided by the manufacturer.



PRODUCT AND DATA SHEETS FOR DOWNLOAD

ITEM NUMBER	CONNECTION SCREW	t x a	g	α	b	e ₂	e ₂	h	f	NORMAL PRESSURE (N/CM ²)
13 050 2510	M6	25 x 10	16	40° - 60°	15,5	25	67	max 74	32	250
13 050 2512	M6	25 x 12,5	16	40° - 60°	17,5	25	67	max 74	32	250
13 050 3216	M8	32 x 16	25	40° - 60°	22	34	77	79	40	250 adjustable
13 050 3220	M8	32 x 20	25	40° - 60°	26	34	77	79	40	250 adjustable
13 050 4020	M8	40 x 20	25	40° - 60°	26	38	77	79	40	250 adjustable

BEYOND THE BOUNDARIES OF BRUSH TECHNOLOGY